

Gripping Trays

Zinc Die Casting, Screw-In Type

SPECIFICATION

Types

- Type **A**: Mounting from the operator's side (for identification no. 2 with four countersunk sealing screws)
- Type **C**: Mounting from the back

Identification no.

- No. **1**: Without seal
- No. **2**: With seal

Handle

Zinc die casting

Powder coated

- Black, RAL 9005, textured finish **SW**
- Silver, RAL 9006, textured finish **SR**

Housing seal for identification no. 2

Rubber NBR

- Black
- Glued

Countersunk sealing screws for type A, id. no. 2

DIN 7991-M5x16

Stainless steel

Polyamide coating on head

Grub screws for type C

Stainless steel

Molded-in

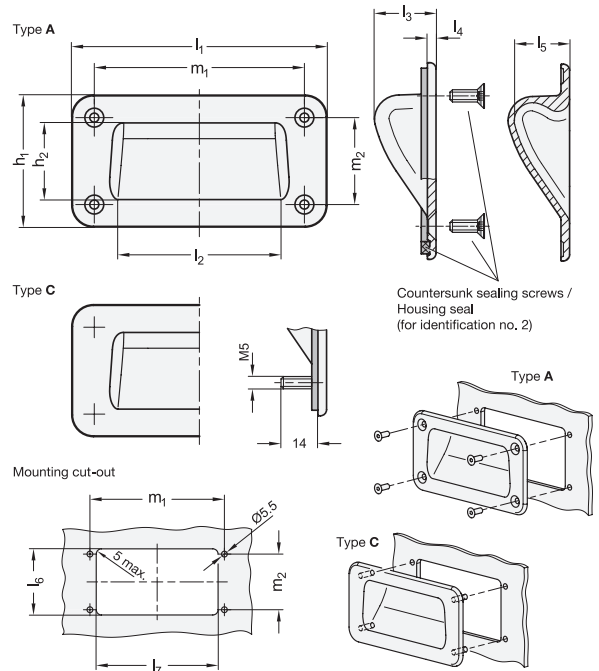
Protection class IP 66

INFORMATION

Gripping trays GN 7330 can be easily and quickly installed from the front using countersunk screws or from the back with grub screws. Gripping trays with housing seal (identification no. 2) prevent the penetration of any dirt or liquids into the housing interior. Type A is supplied with four additional countersunk sealing screws, which feature a polyamide coating on the head to create a tight seal.

TECHNICAL INFORMATION

- IP Protection Classes (see page A23)
- Stainless Steel Characteristics (see page A26)



* Complete with

SW **SR**
RAL9005 RAL9006

GN 7330-A-1

Description	l1	h1	h2	l2	l3	l4	l5	l6 +1	l7 +1	m1	m2	⚖
GN 7330-127-A-1-*	127	80	43	72	25	3.5	22.5	60	88	100	53	233
GN 7330-155-A-1-*	155	80	43	99	25	3.5	22.5	60	115	128	53	289

GN 7330-A-2

Description	l1	h1	h2	l2	l3	l4	l5	l6 +1	l7 +1	m1	m2	⚖
GN 7330-127-A-2-*	127	80	43	72	25	3.5	22.5	60	88	100	53	252
GN 7330-155-A-2-*	155	80	43	99	25	3.5	22.5	60	115	128	53	303

Weight SW

GN 7330-C-1

Description	l1	h1	h2	l2	l3	l4	l5	l6 +1	l7 +1	m1	m2	⚖
GN 7330-127-C-1-*	127	80	43	72	25	3.5	22.5	60	88	100	53	244
GN 7330-155-C-1-*	155	80	43	99	25	3.5	22.5	60	115	128	53	312

GN 7330-C-2

Description	l1	h1	h2	l2	l3	l4	l5	l6 +1	l7 +1	m1	m2	⚖
GN 7330-127-C-2-*	127	80	43	72	25	3.5	22.5	60	88	100	53	254
GN 7330-155-C-2-*	155	80	43	99	25	3.5	22.5	60	115	128	53	317

Weight SW